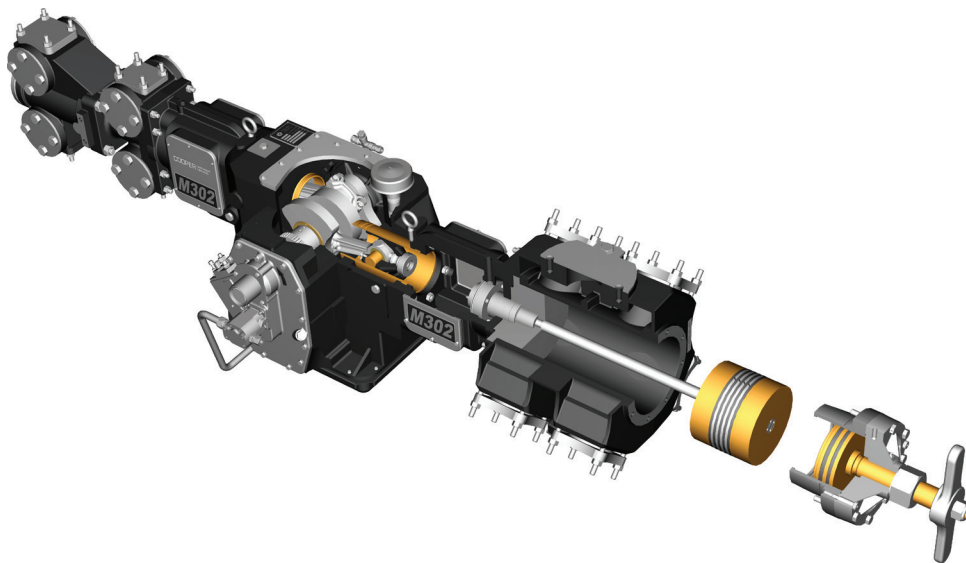


## M SERIES COMPRESSOR

Speed – 1,800 RPM, Max Power – 120 hp, Total Rod Load – 12,000 lbs

Cooper's M Series Compressor has a compact and packager-friendly design. It features a "through shaft" fan adapter that allows the cooler to be driven by the pump end of the compressor, shortening overall skid size and simplifying the piping design. The M Series is

rated at zero degrees of rod reversal as its unique roller bearing design provides full lubrication, regardless of degrees of reversal. This provides ability to single-act/unload cylinders on either head end or crank end, thus increasing the compressor operating range.



### Compressor features

**Type** – Balanced opposed for a smooth-operating and easy-to-service design. Engineered for reliability and low-maintenance.

**Frame** – Rugged, high-strength frame made from cast iron, with standard type A crosshead guides.

**Crankshaft** – Made from forged, heat-treated SAE 4140 steel designed for strength and durability.

**Connecting rods** – Forged steel with precision insert-type bearings on crank end and roller bearings on pin end.

**Crossheads** – Single-piece aluminum crossheads with cast iron inserts and steel crosshead pins.

**Compressor lubrication** – Lube system includes gear-driven oil pump, full flow and spin-on 10-micron oil filter for easy servicing.

**Cylinders** – A wide range of double-acting and tandem cylinders, MAWP up to 6,000 psi.

**Piston/piston rods** – Standard piston rods are heat-treated, SAE 4100 alloy steel. Pistons are made from either hard-anodized aluminum alloy or cast iron.

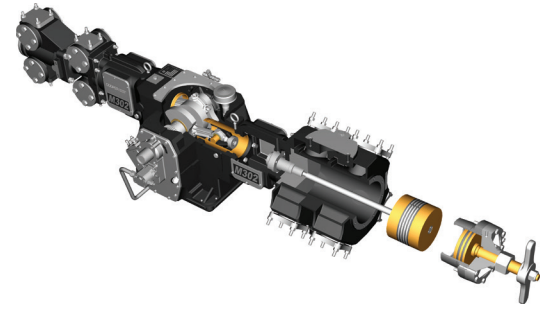
**Valves** – Steel valve seats and guards and non-metallic valve plates are standard. Springs, lift and plates are tailored specifically to your application.

**Cylinder lubrication** – Plunger type force-fed lubricator utilizes a divider block distribution system, a cycle indicator and a DNFT no-flow shutdown switch.

**Standard testing** – Standard compressor mechanical no-load spin test and hydrotesting of all cylinders and heads.

**Standard accessories** – Specialized tools, where applicable, are included in the toolbox.

**LEGENDS DON'T STOP. WE MAKE SURE OF IT.™**



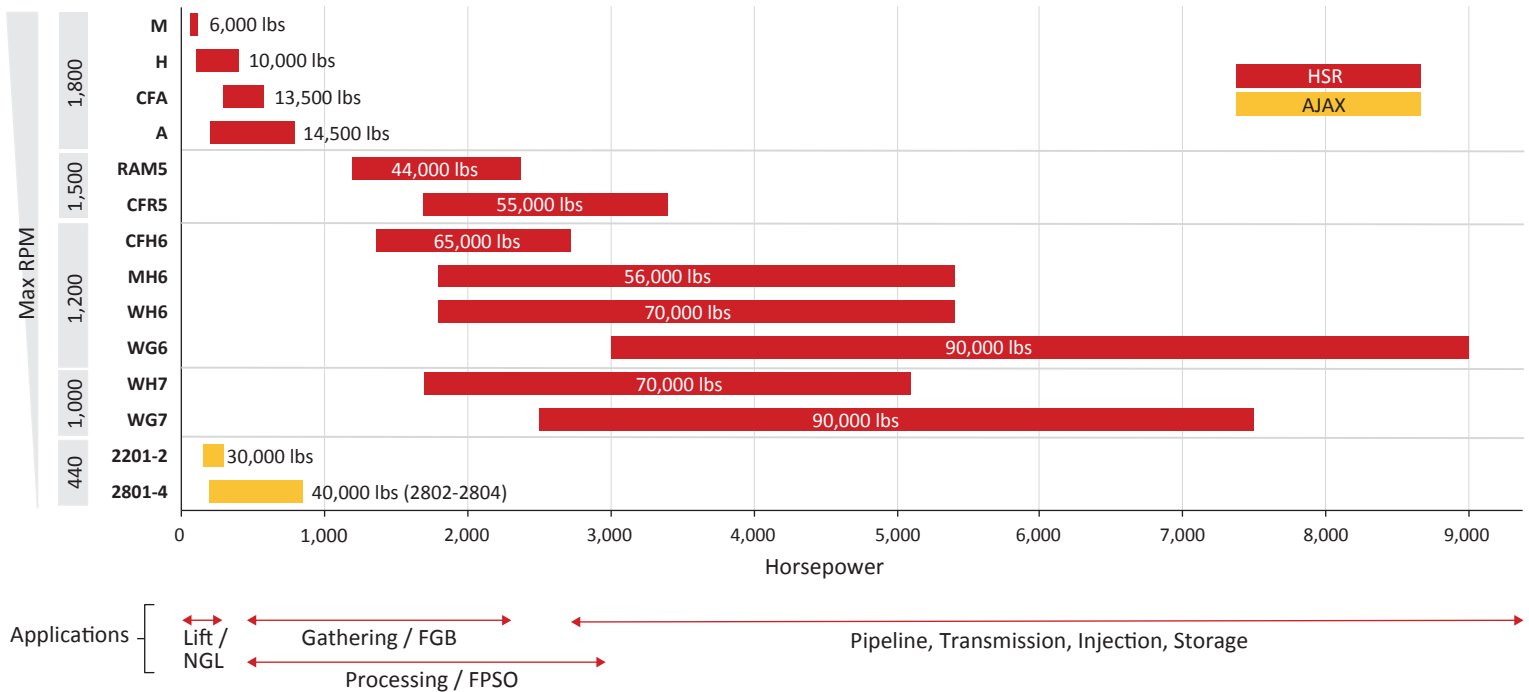
## Compressor Technical Specification

	M301	M302
No. of cylinder throws	1	2
Max RPM	1,800	
Max power (hp/kW)	60/45	120/89
Stroke (in/mm)	3/76	
Main bearing diameter (in/mm)	3/76	
Piston rod diameter (in/mm)	1.125/29	
Combined <sup>1</sup> rod loads (lbs/kN)		
Tension	6,000/27	
Compression	6,000/27	
Total	12,000/53	
Frame weight (lbs/kN)	750/340	850/386

<sup>1</sup>Combined rod load = gas load + inertia load

## Reciprocating Compression Frame Lineup

Frame horsepower and combined compression rod load at max RPM



**LEGENDS DON'T STOP. WE MAKE SURE OF IT.™**

CALL +1-844-RECIP-43 (INTERNATIONAL: +1-713-354-1299)  
 24/7 TECH SUPPORT: SUPPORT@COOPERSERVICES.COM  
 COOPERSERVICES.COM

