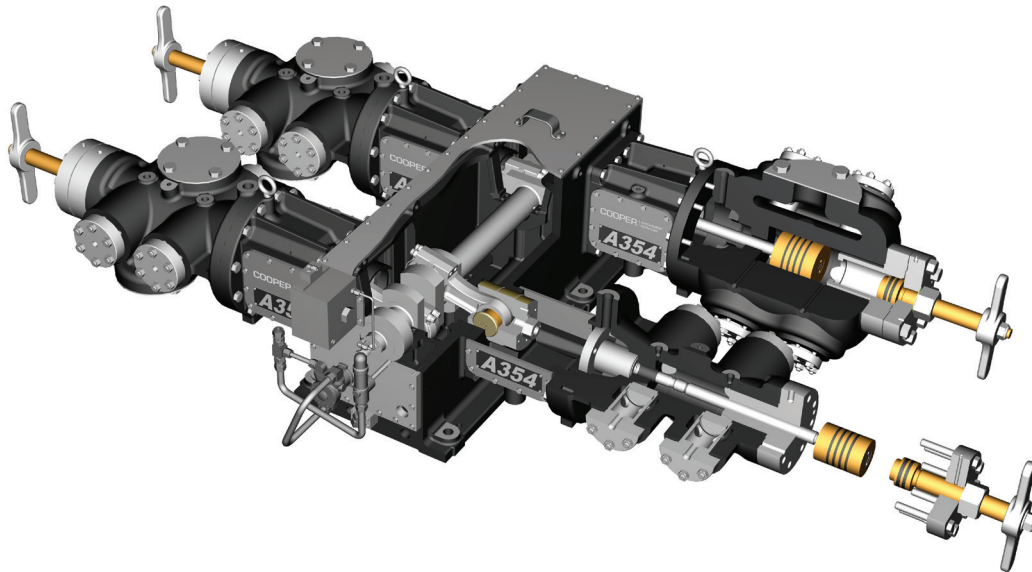


A SERIES COMPRESSOR

Speed – 1,800 RPM, Max Power – 800 hp, Total Rod Load – 27,000 lbs

Cooper's A Series compressor provides mid-range horsepower performance in a compact, high-speed design. It is an ideal fit for today's 1800 rpm drivers.

The A Series compressor is built for high-pressure applications such as gas reinjection, CNG and fuel gas boosting.



Compressor features

Type – Balanced opposed for a smooth-operating and easy-to-service design. Engineered for reliability and low maintenance.

Frame – Rugged, high-strength frame made from cast iron with reinforced alloy steel tie bars. Standard type A crosshead guides.

Crankshaft – Made from forged, heat-treated SAE 4140 steel designed for strength and durability.

Connecting rods – Forged-steel connecting rods, rifle-drilled for forced lubrication of the bearing.

Crossheads – Single-piece ductile iron crossheads with babbitted faces, bronze bushing and floating pins.

Compressor lubrication – Lube system includes chain-driven oil pump, full flow, and spin-on 10-micron oil filter for easy servicing.

Cylinders – A wide range of double-acting and tandem cylinders, MAWP up to 6,000 psi.

Piston / piston rods – Standard piston rods are heat-treated, SAE 4140 steel. Piston could be single- or multi-piece, designed for high load capacity.

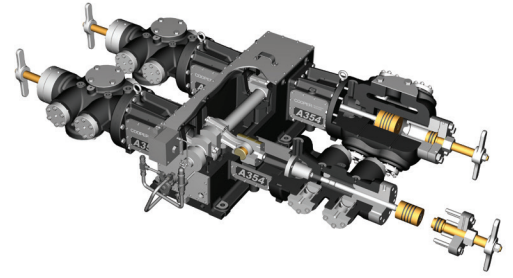
Valves – Steel valve seats and guards and non-metallic valve plates are standard. Springs, lift and plates are tailored specifically to your application.

Cylinder lubrication – Plunger-type force-fed lubricator utilizes a divider block distribution system, a cycle indicator and a DNFT no-flow shutdown switch.

Standard testing – Standard compressor mechanical no-load spin test and hydrotesting of all cylinders and heads.

Standard accessories – Specialized tools, where applicable, are included in the toolbox.

LEGENDS DON'T STOP. WE MAKE SURE OF IT.™



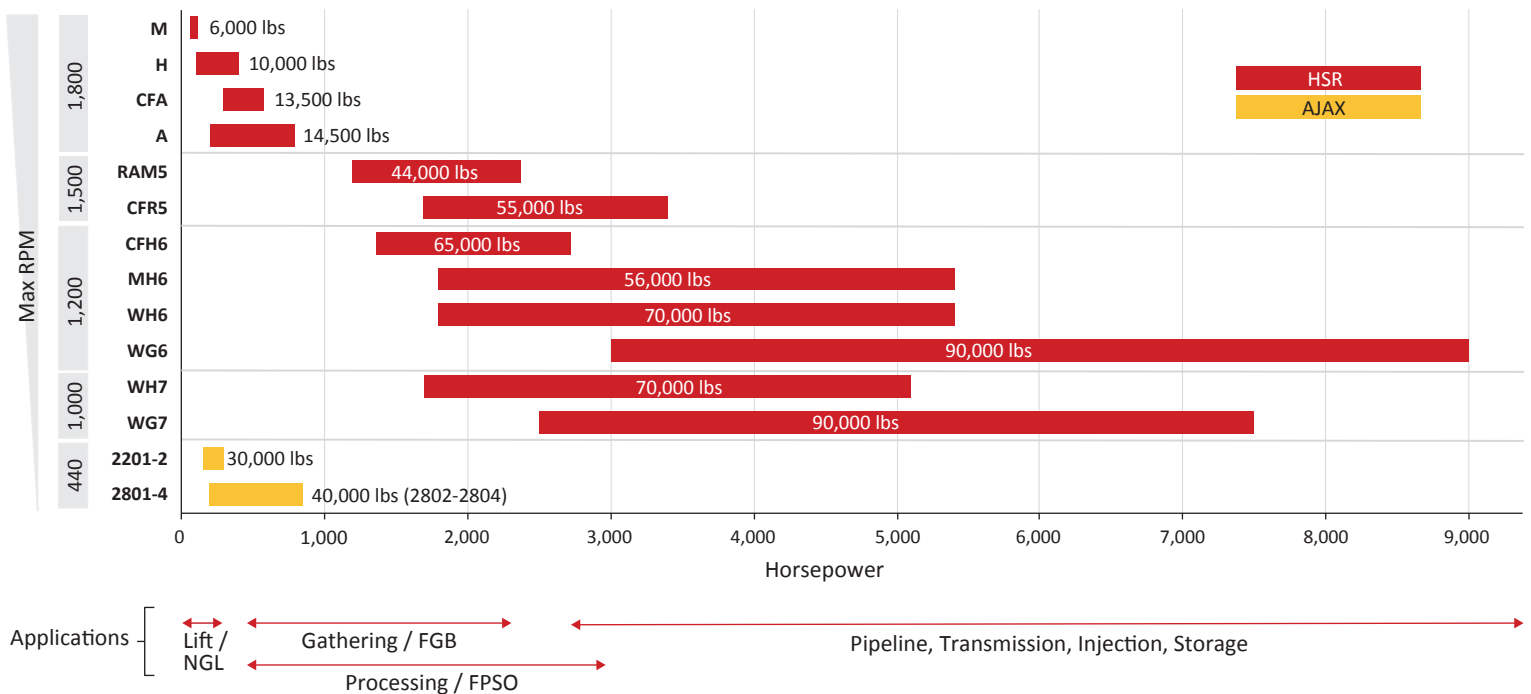
Compressor Technical Specification

	A351	A352	A354
No. of cylinder throws	1	2	4
Max RPM	1,800		
Max power (hp)	200	400	800
(kW)	149	298	597
Stroke (in / mm)	3.5 / 89		
Main bearing diameter (in / mm)	3.25 / 83		
Piston rod diameter (in / mm)	1.375 / 35		
Combined ¹ rod loads (lbs / kN)			
Tension	14,500 / 64		
Compression	12,500 / 56		
Total	27,000 / 120		
Frame weight (lbs)	1,240	1,240	2,500
(kg)	562	562	1,134

¹Combined rod load = gas load + inertia load

Reciprocating Compression Frame Lineup

Frame horsepower and combined compression rod load at max RPM



LEGENDS DON'T STOP. WE MAKE SURE OF IT.™

CALL +1-844-RECIP-43 (INTERNATIONAL: +1-713-354-1299)
 24/7 TECH SUPPORT: SUPPORT@COOPERSERVICES.COM
 COOPERSERVICES.COM

