

# “ECONOMIZER” GAS INJECTION SYSTEM

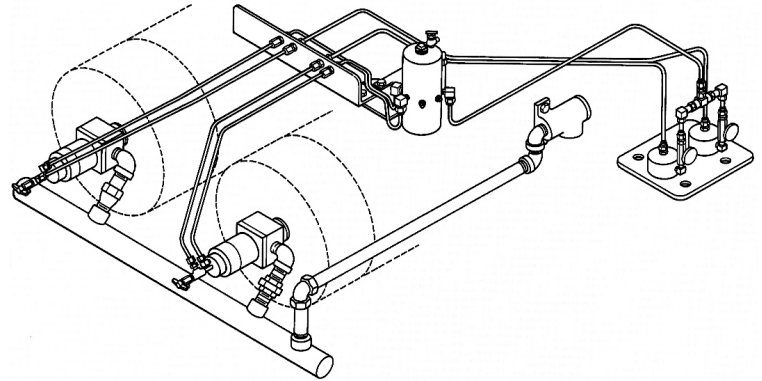
SELECT AJAX™ TWO-CYCLE INTEGRAL ENGINE-COMPRESSORS

## Overview

The advantage of an Ajax engine or integral engine-compressor equipped with the available “Economizer” gas injection system versus the standard low pressure fuel system is to reduce fuel consumption by up to 33%.

The primary difference between the gas injection system and the low-pressure system is the fuel is injected directly into the power cylinder instead of being drawn into the engine through the scavenging chamber utilized on the Ajax two-cycle engine.

In addition to saving on fuel, this design provides precise balancing of the load on Ajax multi-cylinder engines.



## Benefits

- › Reduces fuel consumption
- › From 11-14 scf/bhp-hr
- › To 8.5-9 scf/bhp-hr

Model	Annual Fuel Savings (Mscf)	Annual Savings	
		\$1.50/Mscf	\$2.00/Mscf
E-42/C-42	1,343	\$2,015	\$2,686
DP-60/DPC-60	2,368	\$3,552	\$4,736
DP-80/DPC-80	3,146	\$4,719	\$6,292
DP-115/DPC-115	4,034	\$6,051	\$8,068
DP-160/DPC-160	5,624	\$8,436	\$11,248
DP-230/DPC-230	8,072	\$12,108	\$16,144
DP-300/DPC-300	10,512	\$15,768	\$21,024

**LEGENDS DON'T STOP. WE MAKE SURE OF IT.™**

CALL +1-844-RECIP-43 (INTERNATIONAL: +1-713-354-1299)  
 24/7 TECH SUPPORT: SUPPORT@COOPERSERVICES.COM  
 COOPERSERVICES.COM

