

VVCP UPGRADE

High Speed Reciprocating Compressors

Overview

Reciprocating compressors are positive displacement devices, compressing a specific volume of gas with each piston stroke. The operating conditions can vary across a range of pressures, temperatures, flows, and gas mixes, depending upon the actual field application. The use of a VVCP is one method of capacity control that can be used to efficiently adjust the compressor throughput and power.

Cooper has upgraded the Variable Volume Clearance Pockets (VVCPs) used on cylinders that may be mounted M and H series frames.



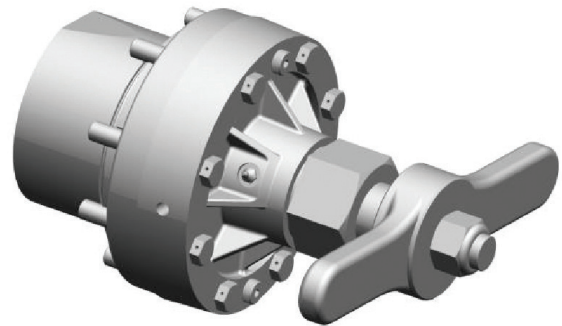
Benefits

- › Improved stem design
- › Added robustness to the stem-piston joint
- › Improved sealing on rider rings
- › Improved handle design for easier VVCP adjustments

Interchangeability

The new VVCP assemblies are directly retrofittable to Legacy Series Cylinders that may be used on either current Cooper HSR Series M, H, and H-A frames or Legacy M and H frames manufactured by Weatherford Global Compression Services or Gemini. The entire VVCP assembly (including VC head) needs to be replaced with a new design.

The upgrade changes the jam nut torque and effective rod extension.



LEGENDS DON'T STOP. WE MAKE SURE OF IT.™

CALL +1-844-RECIP-43 (INTERNATIONAL: +1-713-354-1299)
24/7 TECH SUPPORT: SUPPORT@COOPERSERVICES.COM
COOPERSERVICES.COM

