

SOUR GAS VVCP

High Speed Reciprocating Compressors

Overview

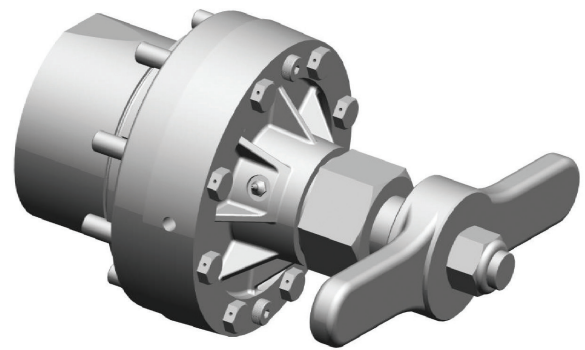
Sour gas compliant cylinders are now available for Cooper's H series Gemini frames. The former H and M Series 3.00" - 5.50" cylinder VVCP (Variable Volume Clearance Pocket) design is not sour gas compliant, therefore upgrades were needed in order to meet API and NACE sour gas standards.

Benefits

- › Full compliance with API 618 and NACE standard sour gas requirements
- › Eliminated leakage path through cylinder head thanks to additional O-ring and change of bolting hole design
- › Improved stem robustness
- › Improved materials
- › Design standardization – new VVCP Assembly can be used for process gases with up to 10% H₂S as well as sweet gases
- › Added vent line

Interchangeability

The new VVCP assemblies are directly retrofittable to existing H Series cylinders. The entire VVCP assembly (including VC Head) needs to be replaced with a new design.



LEGENDS DON'T STOP. WE MAKE SURE OF IT.™

CALL +1-844-RECIP-43 (INTERNATIONAL: +1-713-354-1299)
24/7 TECH SUPPORT: SUPPORT@COOPERSERVICES.COM
COOPERSERVICES.COM

