

FIBERGLASS FUEL GAS VALVE ADJUSTMENT DOORS

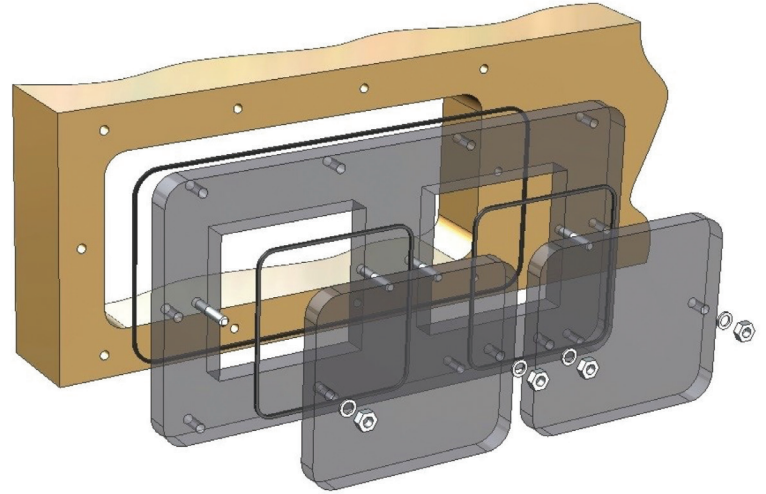
SUPERIOR™ 825 TURBOCHARGED ENGINES

Overview

Fewer bolts now separate you from your engine—meaning easy access to fuel gas valves—thanks to a design innovation from Cooper.

Engines originally were supplied with cast iron side cover doors. The numerous fasteners and weight of the doors made fuel valve adjustment a difficult and time-consuming task.

The first fiberglass alternative to the cast iron door that was implemented reduced door weight and increased the door's overall strength and flexibility, but a significant amount of time still was required for removal and reinstallation. The new doors from Cooper with fiberglass side covers are designed to eliminate this issue.



Benefits

- › Decreased time needed for valve adjustments
- › Decreased number of personnel required to perform the task—now, adjustments are a one-person job
- › Reduced oil leakage through doors, thanks to O-ring seals
- › Directly interchangeable with all previous doors—no required modifications

Upgrade summary

New doors are fitted with two access ports large enough to perform the 1,500-hour fuel gas valve adjustment without removing the entire side cover.

The ports are covered by smaller, lightweight fiberglass doors that significantly reduce their weight.

Interchangeability

This new design replaces side cover doors for all 825 series turbocharged vee and inline engines. The design is directly interchangeable with all previous doors.

The kit is sold as an assembly that includes all O-rings and mounting hardware shown in the figure above.

Part numbers and quantity requirements are listed below.

825 Engine Type	Inline	Inline	Vee	Vee
Number of Cylinders	6	8	12	16
Quantity Required	3	4	6	8
Original Cast Iron Door Part Number	006-675	006-675	029-296	029-296
Original Fiberglass Door Part Number	033-668	033-668	033-667	033-667
New Door with Fiberglass Side Covers Part No.	034-750	034-750	034-753	034-753

LEGENDS DON'T STOP. WE MAKE SURE OF IT.™

CALL +1-844-RECIP-43 (INTERNATIONAL: +1-713-354-1299)
 24/7 TECH SUPPORT: SUPPORT@COOPERSERVICES.COM
 COOPERSERVICES.COM

