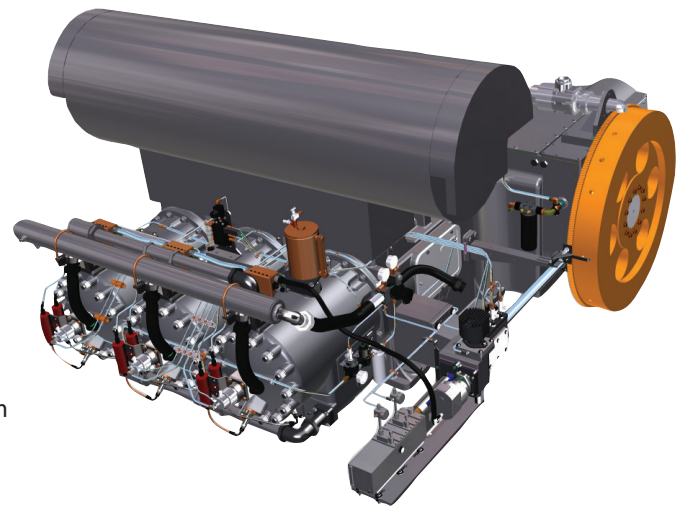


AJAX™ INTEGRAL ENGINE-COMPRESSOR DPC-2803

600-634 bhp, 440 rpm

Robust, reliable Ajax engines have been manufactured in the United States longer than any other OEM brand engines, with continuous innovations and technologies adding compliance, strength and simplicity to the original design. The DPC-2803 integral engine compressor rated at 600-634 bhp and features a slow-speed, two-cycle engine design that results in less wear and fewer moving parts. It offers greater reliability and efficiency than high-speed separable units. As a result, operating costs are substantially lower over the life of your equipment. Over 460 DPC-2803s have been built. The DPC-2803 is the economic choice for a variety of applications, including gas gathering, injection, processing, transmission, and fuel gas boosting.



Benefits

- > Minimum maintenance
- > Higher availability
- > Higher resale value
- > Reduced parts stocking requirements
- > Single source responsibility available
- > More gas compressed per BHP than high-speed separable units
- > Higher mechanical efficiency
- > Flexible

Features

- > Integral crankshaft design
- > Slow operating speed
- > Fewer moving parts
- > Technically current design
- > Low-cycle, low BMEP engine
- > Larger valve area

Model	STD	LE
No. of Cylinders	3	3
Power	634 bhp (473 kWb)	600 bhp (447 kWb)
Rated Speed	440 rpm	440 rpm
Bore & Stroke	15" x 1 6" (381 mm x 406 mm)	15" x 16" (381 mm x 406 mm)
Piston Displacement	8,481 in ³ (139 l)	8,481 in ³ (139 l)
BMEP	67.3 psi (4.6 bar)	63.7 psi (4.4 bar)
Piston Speed	1,173 ft/min (6 m/s)	1,173 ft/min (6 m/s)

LEGENDS DON'T STOP. WE MAKE SURE OF IT.™

CALL +1-844-RECIP-43 (INTERNATIONAL: +1-713-354-1299)
 24/7 TECH SUPPORT: SUPPORT@COOPERSERVICES.COM
 COOPERSERVICES.COM



Model	STD	LE
Fuel Gas System¹		
Fuel pressure range	150 psi (10.3 bar)	150 psi (10.3 bar)
Exhaust System²		
Exhaust Temperature	465°F (241°C)	515°F (268°C)
Exhaust Flow	174 lb/min (79 kg/min)	179 lb/min (81 kg/min)
Cooling Water System		
Capacity	90 gal (341 l)	90 gal (341 l)
Lube Oil System³		
Capacity	58 gal (220 l)	58 gal (220 l)
Consumption	21 pints/day (9.9 l/day)	20 pints/day (9.5 l/day)
Crankcase Makeup	4.3 pints/day (2 l/day)	4.3 pints/day (2 l/day)
Brake Specific Fuel Consumption		
100% Load (LHV)	8,000 Btu/bhp-hr (11,319 kJ/kWh)	7,800 Btu/bhp-hr (11,036 kJ/kWh)
Engine Emissions²		
NOx	12 g/bhp-hr	2 g/bhp-hr
CO	1.2 g/bhp-hr	1.2 g/bhp-hr
NMHC	0.7 g/bhp-hr	0.6 g/bhp-hr
VOC	0.5 g/bhp-hr	0.5 g/bhp-hr
Formaldehyde	0.3 g/bhp-hr	0.3 g/bhp-hr
CO ₂	469 g/bhp-hr	458 g/bhp-hr
Compressor Specifications		
No. of Throws	2	2
Stroke	11" (279 mm)	11" (279 mm)
Piston Speed	807 ft/min (4 m/s)	807 ft/min (4 m/s)
Rod Load	40,000 lb (178 kN)	40,000 lb (178 kN)
Rod Diameter	2.5" (64 mm)	2.5" (64 mm)
Crankshaft Centerline	20" (508 mm)	20" (508 mm)
Dry Weight		
Frame Weight	31,500 lb (14,288 kg)	31,500 lb (14,288 kg)
Dimensions		
Frame Length	158" (4,013 mm)	158" (4,013 mm)
Frame Width	125" (3,175 mm)	125" (3,175 mm)
Frame Height	74" (1,881 mm)	74" (1,881 mm)
Stack Diameter	17¼" (438 mm)	17¼" (438 mm)
Stack Height	303" (7,696 mm)	241" (6,121 mm)
Flywheel		
Outside Diameter	48" (1,219 mm)	48" (1,219 mm)
Weight	2,200 lb (998 kg)	2,200 lb (998 kg)

¹ Fuel gas system pressure noted is maximum pressure at customer connection

² Exhaust and emissions noted based on: PLQNG, 1500 FASL elevation, 65°F ambient temperature for STD and LE

³ Lube oil system consumption rates based on full load and full speed operation. Values do not indicate break-in consumption rates.

LEGENDS DON'T STOP. WE MAKE SURE OF IT.™

CALL +1-844-RECIP-43 (INTERNATIONAL: +1-713-354-1299)
 24/7 TECH SUPPORT: SUPPORT@COOPERSERVICES.COM
 COOPERSERVICES.COM

